

# DF50 PLASTIC PUMPS

## 50 L/MIN (14 US GAL/MIN) - 1/2"

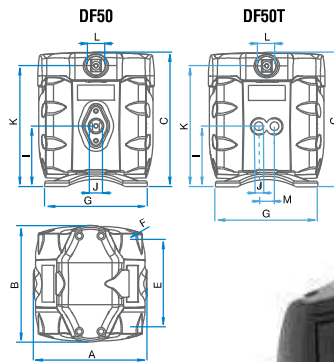
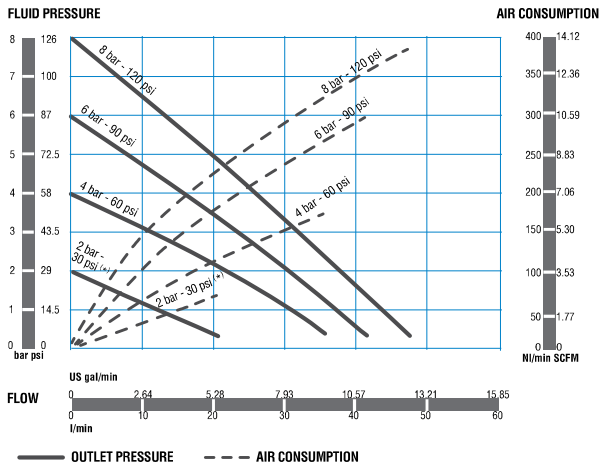
TECHNICAL DATA	DF50 & DF50T PLASTIC PUMPS
Pressure ratio	1:1
Maximum free delivery (1)	50 l/min (14 US gal/min)
Displacement per cycle (2 x strokes) (1)	0,2 litres (0.05 US gal)
Air pressure operating range	1,5 to 8 bar (22 to 115 psi)
Solids in suspension max. size	3 mm (1/8")
Maximum dry suction lift (1)	6 m (20')
Maximum wet suction lift (1)	8 m (26')
Weight	2,2 kg (4.85 lb)
Fluid inlet port	1/2" BSP/NPT (F) 2 x 3/8" BSP/NPT DF50T
Fluid outlet port	1/2" BSP/NPT (F)
Air inlet port	3/8" NPSM (F)
Wetted part materials	See pump nomenclature

(1) Data measured with water, air inlet pressure 7 bar (100 psi), 20 °C (68 °F).



## PERFORMANCE CHART

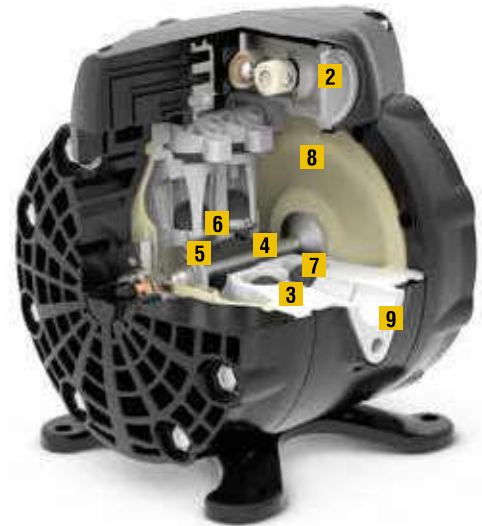
(\*) 30 psi test with a PTFE (Teflon®) diaphragm pump at room temperature, with water and flooded pump with 31 1/2" (800 mm) height of water above the pump inlet.



Dimensions (mm)

A	B	C	D	E	F*
156	160	185	105	122	8
G	I	J	K	L	M
140,7	83	1/2" (F)	166	3/8" (F)	24

\* Diameter of the holes for fasteners in each of the four pump feet.



## PUMP NOMENCLATURE

### DF50P - PST - STT- BAS

DF50X - DF50TX		XXX			XXX			XXX	
1 Pump Size	2 Air motor	3 Fluid Body	4 Diaphragm Connecting Rod	5 Seals	6 Seats	7 Balls	8 Diaphragms	9 Fluid Connection Threads	10 Options
<b>DF50</b> <b>DF50T</b> Dual inlet	ATEX Certified* P = Conductive Polypropylene	<b>P</b> = Polypropylene <b>W</b> = PVDF ATEX Certified* <b>D</b> = Conductive Acetal	<b>S</b> = Stainless Steel AISI 420 <b>Y</b> = Hastelloy®C	<b>E</b> = EPDM <b>T</b> = PTFE (Teflon®) <b>V</b> = FKM (Viton®)	<b>S</b> = Stainless Steel AISI 316 <b>W</b> = PVDF	<b>C</b> = Acetal <b>S</b> = Stainless Steel AISI 316 <b>T</b> = PTFE (Teflon®)	<b>H</b> = TPE (Hytrel®) <b>M</b> = Santoprene® <b>T</b> = PTFE (Teflon®)	<b>B</b> = BSP <b>N</b> = NPT	<b>AS</b> = Standard <b>BS</b> = Remote air exhaust <b>ES</b> = Externally driven <b>FS</b> = Quiet exhaust

\* ATEX Certified versions available Ex II2 GD IIB/IIIC 95 °C.  
Not all possible material combinations are available.