

DATA SHEET

VASF 2.80/1-0.XXXXXX

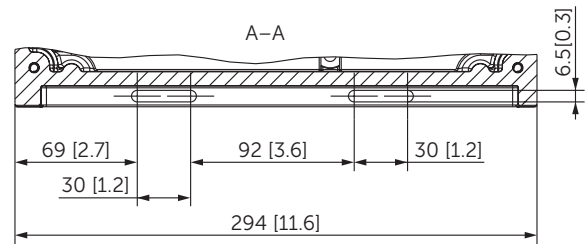
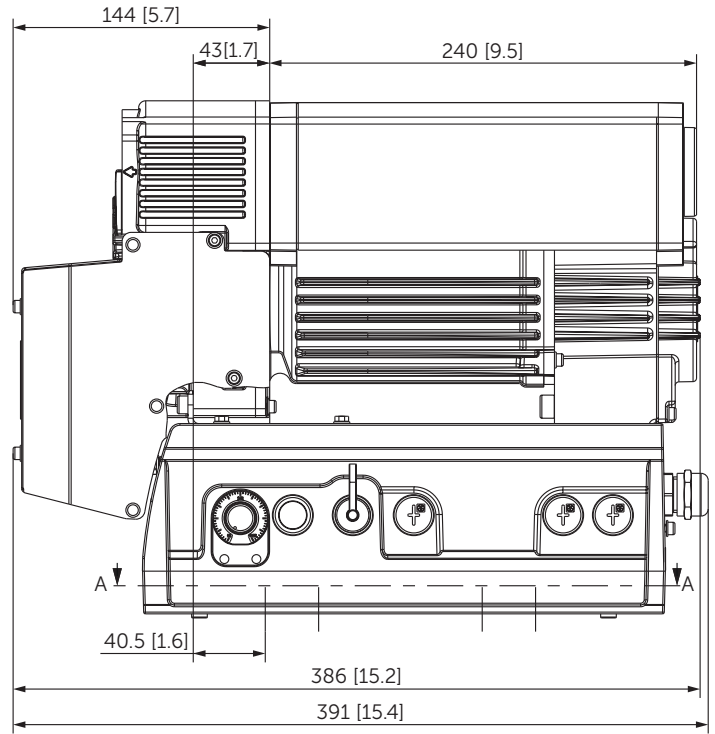
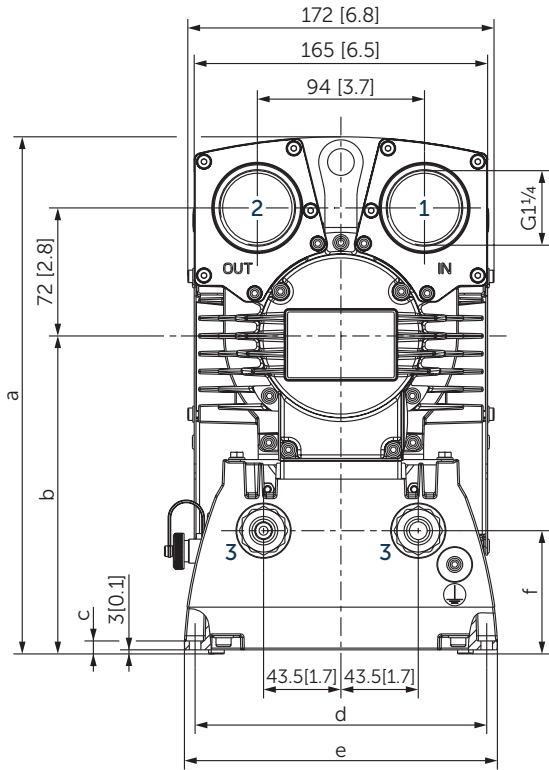
SIDE CHANNEL BLOWERS

single stage, air-cooled
VARIAIR frequency inverter

MAKE IT BECKER.



figure VASF 2.50

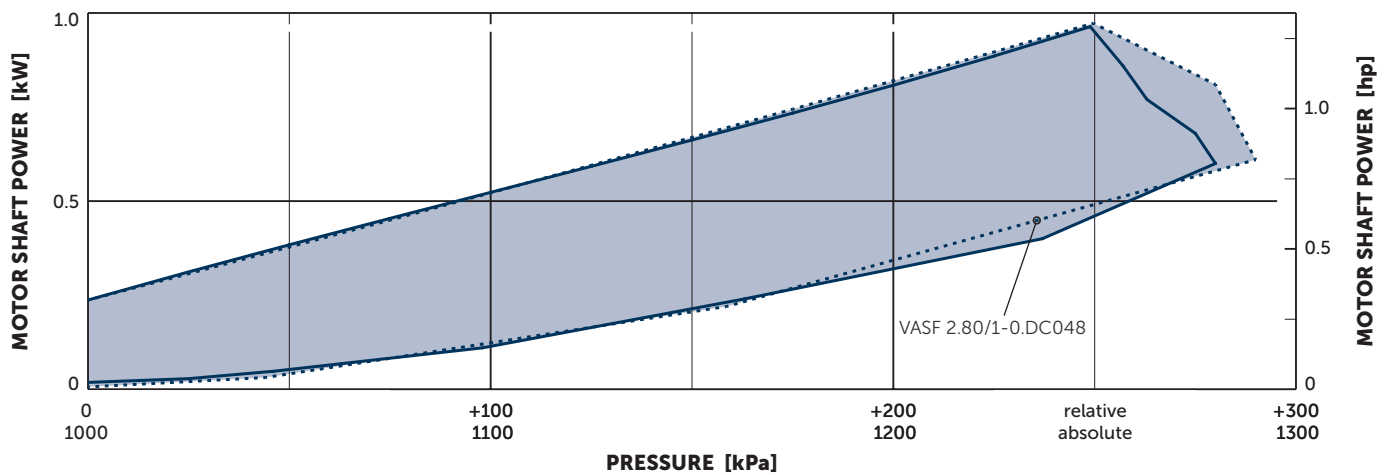
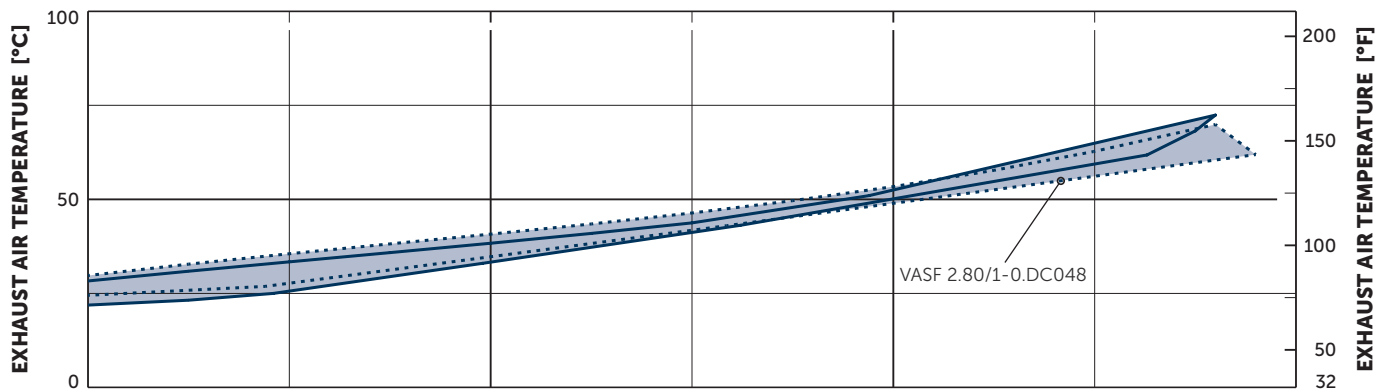
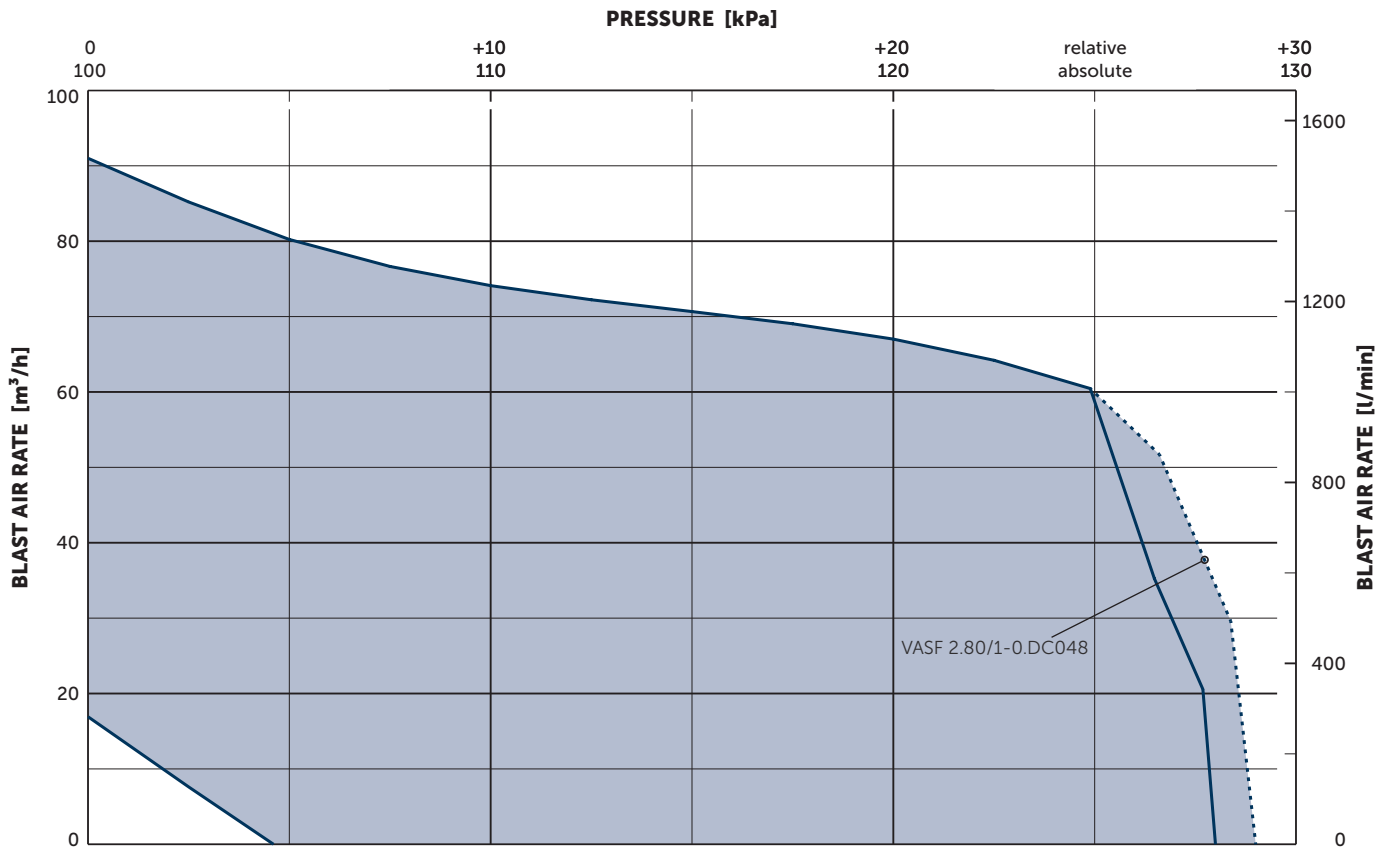


- 1 Vacuum connection (G 1 $\frac{1}{4}$)
- 2 Pressure connection (G 1 $\frac{1}{4}$)
- 3 SKINTOP MS-SC-M20x1.5 / clamping range \varnothing 7–13 mm [0.3–0.5 inch]
- Illustration of the AC version
- Dimensions in mm [inch]

	a	b	c	d	e	f
AC	291 [11.5]	179 [7.1]	8 [0.3]	164.0 [6.5]	176.0 [6.9]	70 [2.8]
DC	268 [10.6]	156 [6.1]	4 [0.2]	161.6 [6.4]	172.5 [6.8]	47 [1.9]

VASF 2.80/1	Blast air rate	Pressure relative		Frequency	Emission sound pressure level ¹⁾	Weight		
	m ³ /h max.	mbar max.	kPa max.	Hz	dB(A)	kg		A max.
-0.AC230	90	-280	-28	50–250	61	15.0	1.1 kW AC 1~ 200 V -10% ... 230 V +10% 50/60 Hz	10
-0.DC048	90	-290	-29	50–250	65	14.7	1.1 kW DC 48 V \pm 20%	25

¹⁾ According to DIN EN ISO 11203, accuracy class of measurement: class 2, extended measurement uncertainty: 3 dB
1 m [39.4 inch] distance, at medium load, both connection sides piped, suction side unloaded



Reference data (atmosphere): 1000 mbar (100 kPa), 20°C (68°F)
 Tolerance: ±10%
 Max. ambient temperature: ≤ 45°C (≤ 113°F)

MAKE IT BECKER.